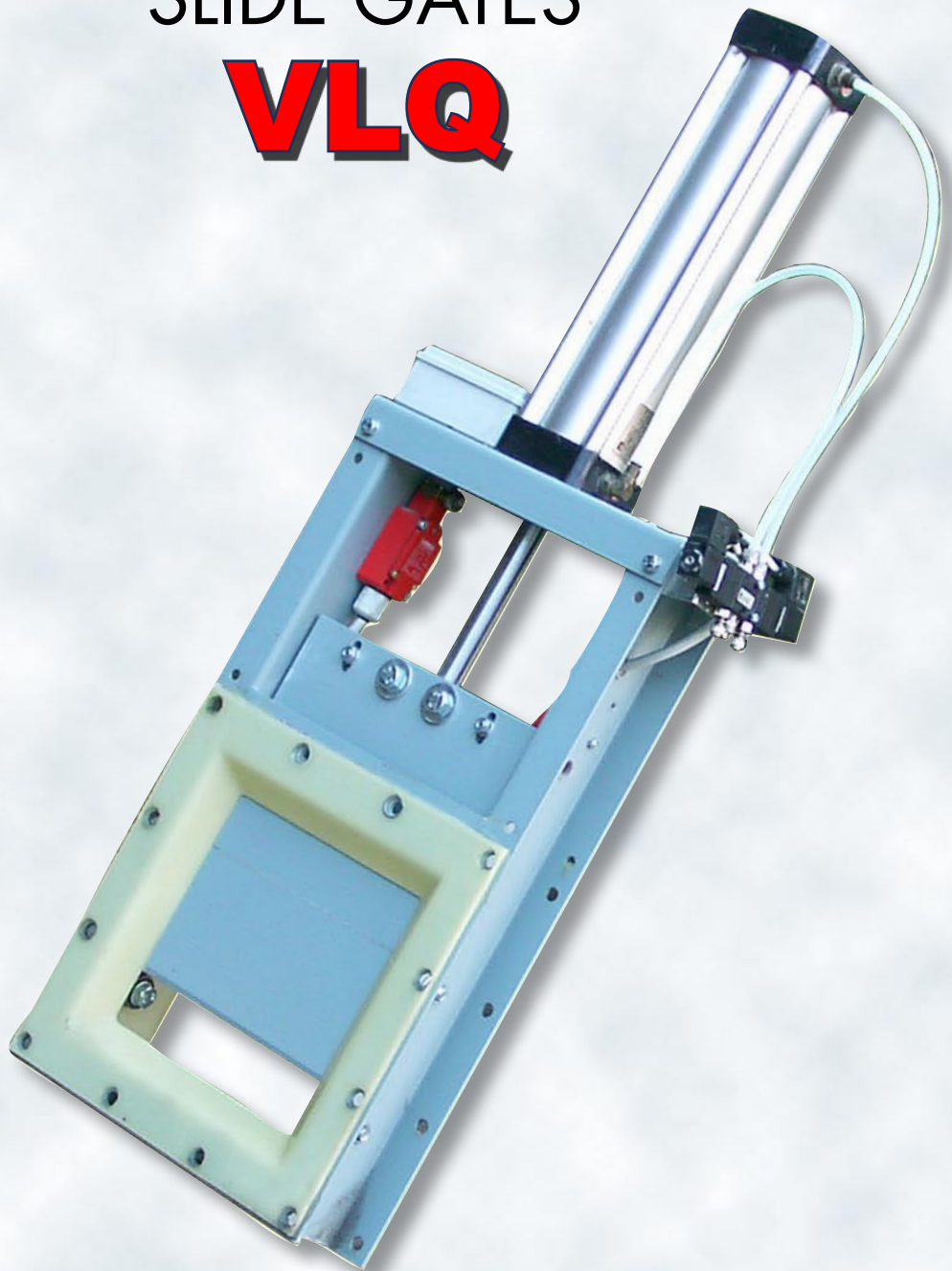




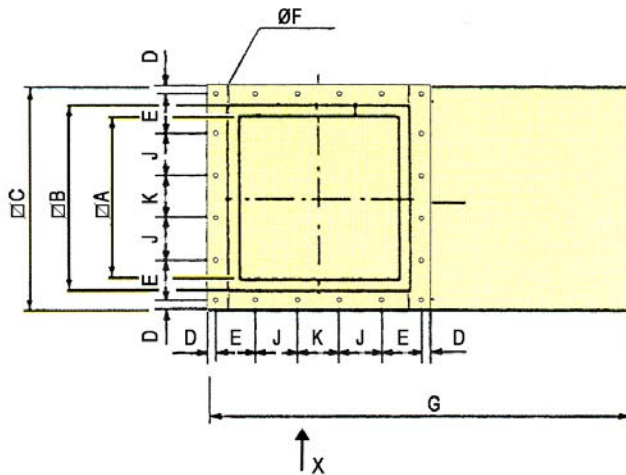
WAM[®] Inc.



SLIDE GATES **VLQ**

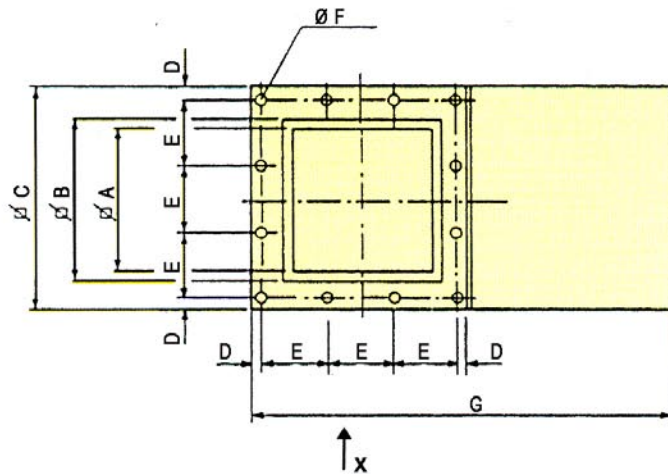


CEMA STANDARD



TYPE	NOMINAL SIZE	A	B	C	D	E	J	K	Bolts, dia	G	H	Lb
VLQ0150	6	4-3/4"	6-7/8"	10-1/4"	5/8"	2-13/16"	-	3"	3/8	18"	4-1/2"	31
VLQ0250	9, 10	8-5/8"	10-7/8"	14-1/4"	5/8"	4-21/64"	-	4-5/16"	3/8	25-1/2"	4-1/2"	49
VLQ0300	12	10-5/8"	12-3/4"	17"	3/4"	5-1/8"	-	5-1/4"	3/8	30-1/8"	4-1/2"	67
VLQ0350	14	12-5/8"	14-3/4"	19"	3/4"	3-1/2"	3-1/2"	3-1/2"	3/8	35-1/2"	5"	89
VLQ0400	16	14-5/8"	16-3/4"	20-7/8"	3/4"	3-3/4"	4"	4"	3/8	39-3/8"	5"	102

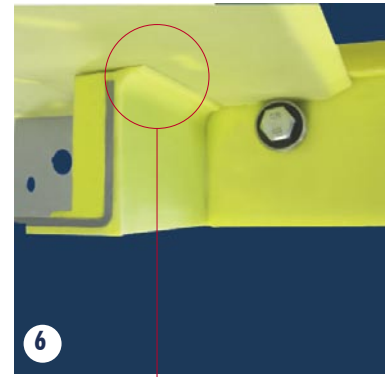
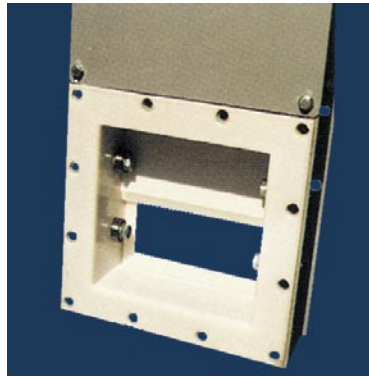
EURO STANDARD



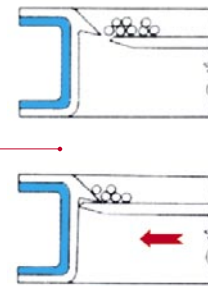
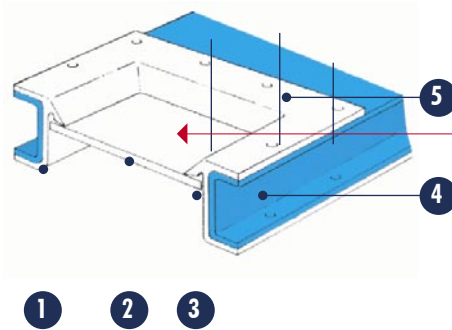
TYPE	NOMINAL SIZE	A	B	C	D	E	N° E	Dia F	Bolts, dia	G	H	Lb
VLQ0150	6	4-3/4"	6-7/8"	10-1/4"	5/8"	4-1/2"	2	1/2"	3/8	18"	4-1/2"	31
VLQ0200	8	6-5/8"	8-7/8"	12-1/4"	5/8"	3-11/16"	3	1/2"	3/8	21-7/8"	4-1/2"	40
VLQ0250	10	8-5/8"	10-7/8"	14-1/4"	5/8"	4-5/16"	3	1/2"	3/8	25-1/2"	4-1/2"	49
VLQ0300	12	10-5/8"	12-3/4"	17"	7/8"	5-1/16"	3	1/2"	3/8	30-1/8"	4-1/2"	67
VLQ0350	14	12-5/8"	14-3/4"	19"	3/4"	3-1/2"	5	1/2"	3/8	35-1/2"	5"	89
VLQ0400	16	14-5/8"	16-3/4"	20-7/8"	5/8"	3-15/16"	5	1/2"	3/8	39-3/8"	5"	102

COMPONENTS

- ① Valve body coated with SINT[®]MC or SINT[®]AL (food-grade) to avoid contact between product and body.
- ② Heavy-duty blade (SINT[®]MC / SINT[®]AL, carbon steel, 304 st.st.)
- ③ Minimum friction contact
- ④ No additional lateral seals required
- ⑤ Dry food quality with SINT[®]AL coating
- ⑥ Dustproof (scraper included)



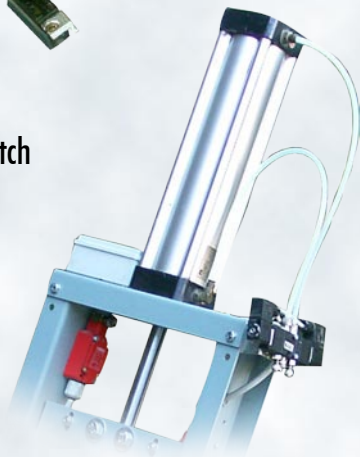
VLQ - VLR - VLS



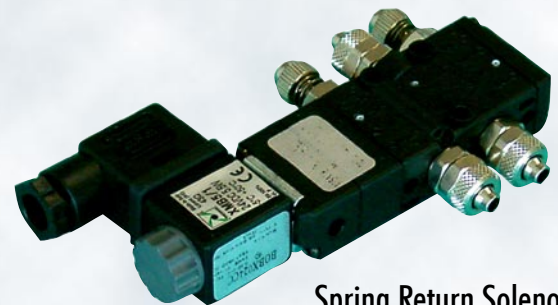
GATE ACTUATORS



Reed Limit Switch
KXM 00



Pneumatic Cylinder
CPL



Spring Return Solenoid
V5



Handwheel
CMG

APPLICATIONS



N.B.: Rights reserved to modify technical specifications.

WAM.US.03021 08.05



WAM Inc. Texas Division
1300 Triad Blvd.
Fort Worth, TX 76131 - USA
☎ (817) 232 - 2678
Fax (817) 232 - 2676
E-mail wamtexas@waminc.com
Internet www.waminc.com

WAM Inc. Georgia Division
75 Boulderbrook Circle
Lawrenceville, GA 30045 - USA
☎ (770) 339 - 6767
Fax (770) 339 - 4727
E-mail wamgeorgia@waminc.com
Internet www.waminc.com

