



See Through Inlet Vacuum Filters ST Series "T" Style 2" to 4" FPT Connections



- Easy Maintenance Checks
- In-Stock
- Vacuum Tested
- Save Costs
- For CT 2", 2-1/2", 3", & 4" Connections

BENEFITS

- ♦ Maintenance checks are simplified with visual inspections
- ♦ Reduce downtime by eliminating need to shut down system to check filter
- ♦ Tested to withstand impacts and fractures at full vacuum
- ♦ Extended bucket for additional holding capacity
- ♦ Great for extreme duty applications
- ♦ High heat resistance for sterile environments



FEATURES & SPECIFICATIONS

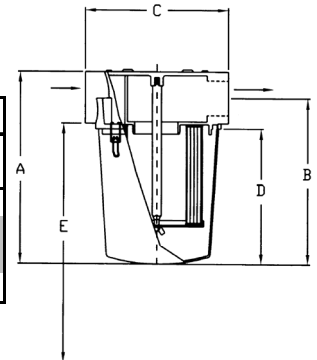
- ♦ Bucket made from polycarbonate material
- ♦ **Vacuum level:** Typically 1×10^{-3} mmHg (1.3×10^{-3} mbar)
- ♦ Complete filter assembly is resistant to electrical static build-up
- ♦ High tensile strength permits dimensional stability
- ♦ Temperature Ratings:
 - Complete Assembly max: 220°F
 - See-Through bucket max: 290°F
- ♦ Increased holding capacity
- ♦ **Compact** design for space restrictions; **Minimal** service area needed
- ♦ **Integrated Inlet Baffle**
- ♦ Inlet is above the element to **Extend** element life and maintenance intervals
- ♦ "T" style design **Minimizes** piping requirements
- ♦ "Drop-Down" housing for easy servicing and dirt containment

OPTIONS (Inquires Encouraged)

- ♦ Low flow - high capacity configurations
- ♦ Extreme duty SpinMeister design
- ♦ 1" drain port
- ♦ Epoxy coating on head piece
- ♦ Stainless steel coating on head piece
- ♦ Heavy duty CT series (with carbon steel buckets) available 2" to 6" FPT connections

NEW

with Polyester Element	with Paper Element	FPT Inlet & Outlet	DIMENSIONS - inches					Rated Flow SCFM	
			A	B	C	D	E	Nominal Rating	Element Rating
ST-851/1-200C	ST-850/1-200C	2"	16 1/4	14 1/4	9	12 1/2	22	175	290
ST-851/1-250C	ST-850/1-250C	2-1/2"	16 1/4	14 1/4	9	12 1/2	22	210	290
ST-235P-300C	ST-234P-300C	3"	19 3/4	17	13 1/2	14	25	300	570
ST-235P-400C	ST-234P-400C	4"	19 3/4	17	13 1/2	14	25	520	570



Solberg Manufacturing Inc.
1151 Ardmore Ave. • Itasca, IL 60143 USA
Sales/Service: 630.773.1363 • Fax: 630.773.2643
E-mail: sales@solbergmfg.com • Web Site: www.solbergmfg.com

Solberg – Discover the Possibilities

ST24-7203