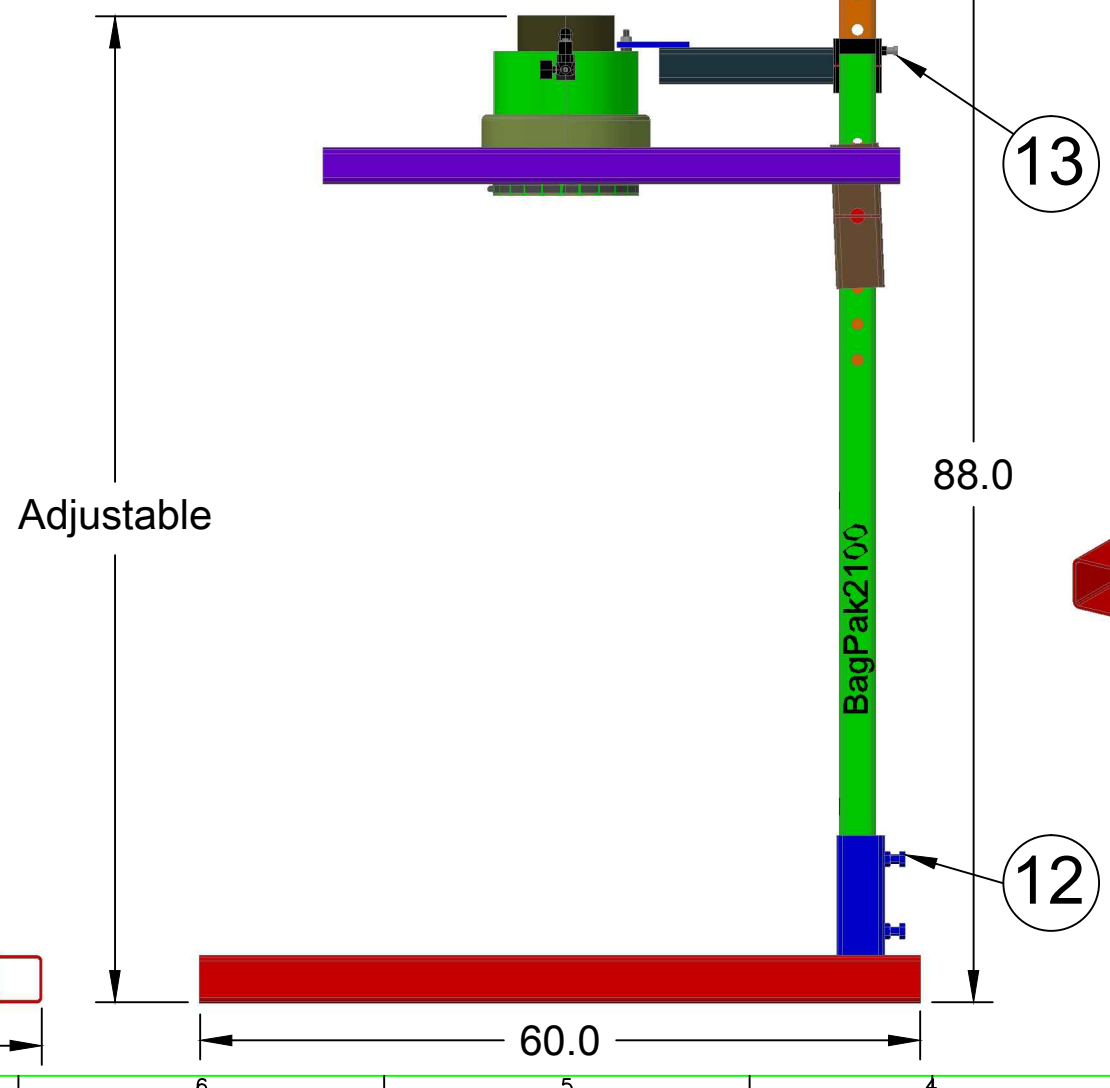
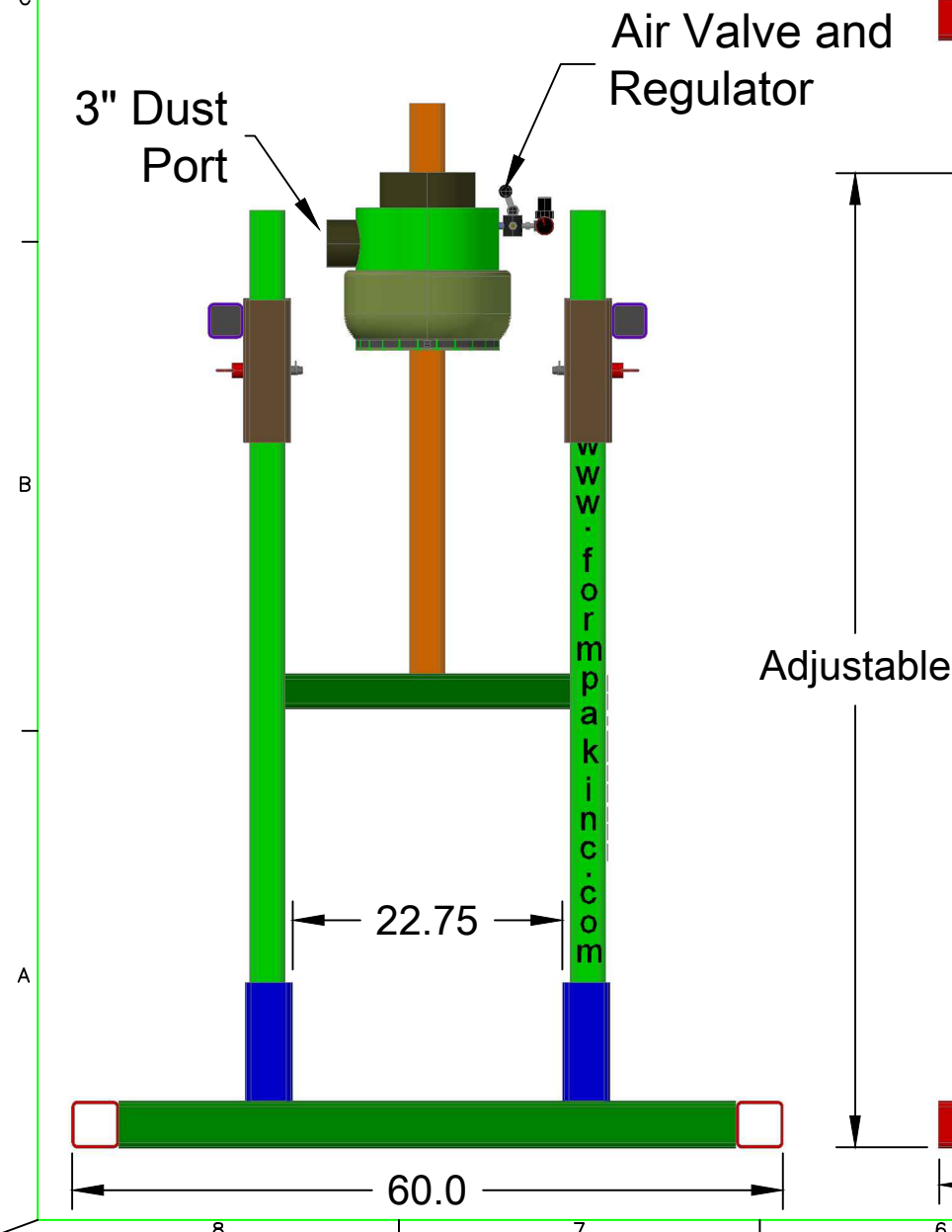
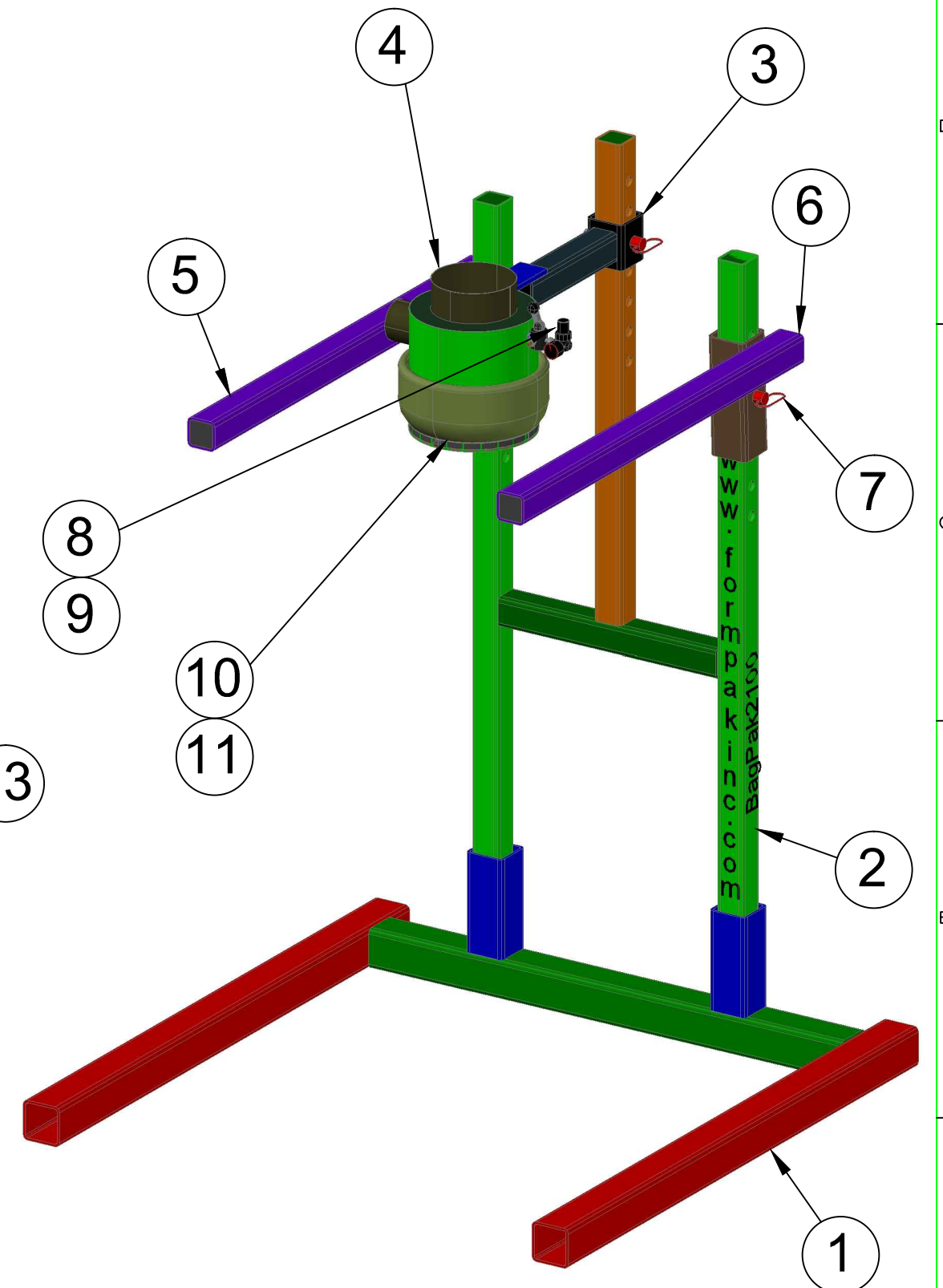
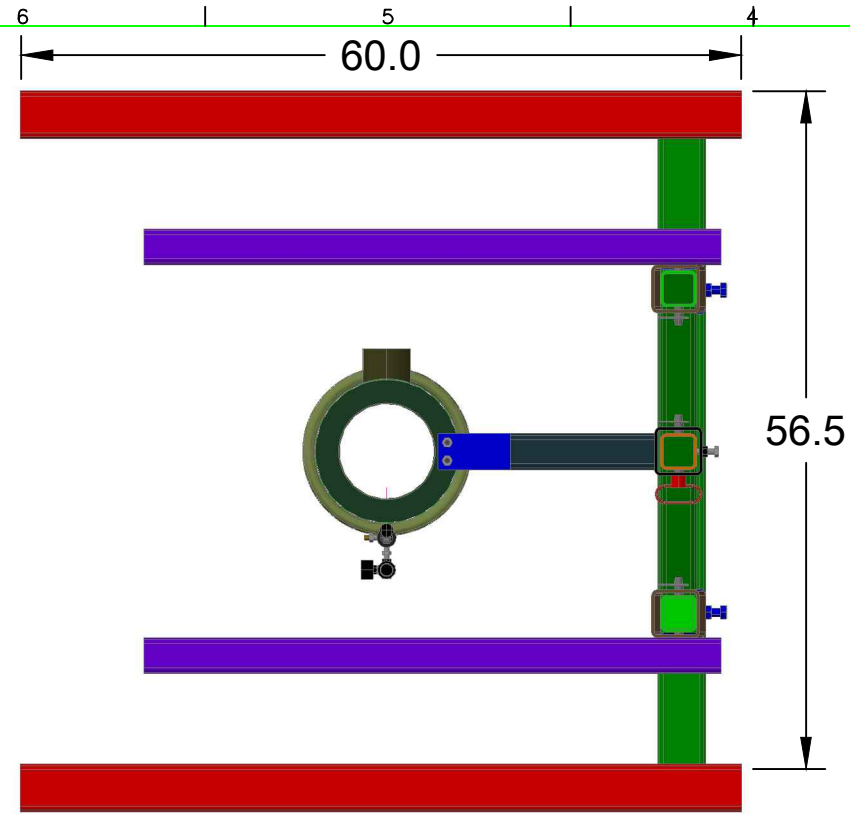


Item#	Qty	Description	Part Number	Wgt(Est.)
1	1	Frame, Lower - 52" opening	Formpak 000267	200
2	1	Frame, Upper	Formpak 000266	167
3	1	Support, Feeder Head	Formpak 000084	18
4	1	Standard Fill Head	Formpak 000254	28
5	1	Support, Bulk Bag, Left	Formpak 000086L	49
6	1	Support, Bulk Bag, Right	Formpak 000086R	49
7	3	Hitchpin, W/Hairpin Clip	DoubleHH 00233	.27
8	1	Valve	250V-3-10-20	
9	1	Regulator	R07-200-RGAA0	
10	1	Sleeve, Inflating		
11	2	Clamp		
12	4	Bolt, 3/4UNC x 2" Lng.		
13	1	Bolt, 1/2UNC x 1.5" Lng.		

appx 525 Lbs



Size B	 Meeting Your Materials Handling Needs Since 1968	Date	7/6/2011
		Scale	1/16
Drawing Name		Sheet	1 of 1
BagPak 2100ST-SB (Spout Top Spread Base) Bulk Bag Filling Machine		Drawing Number	000277