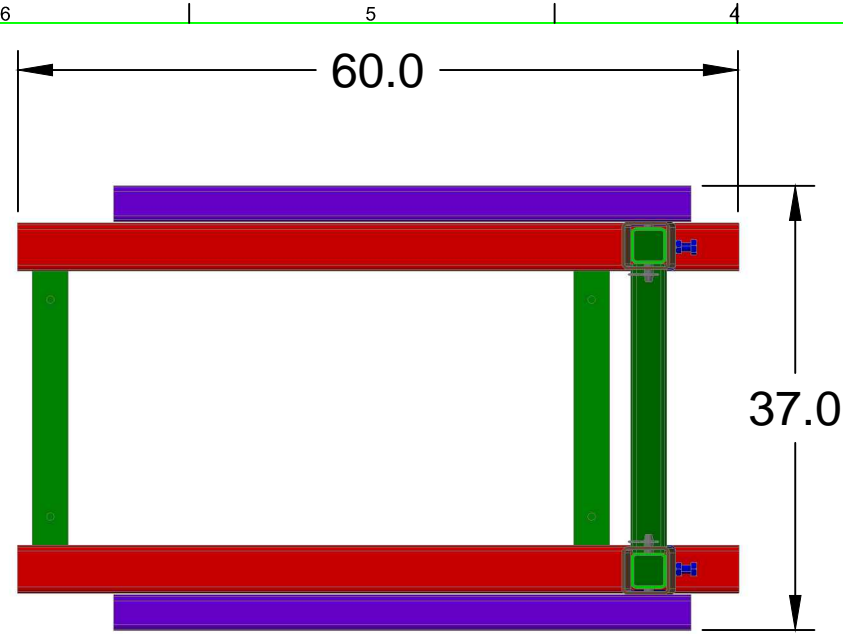
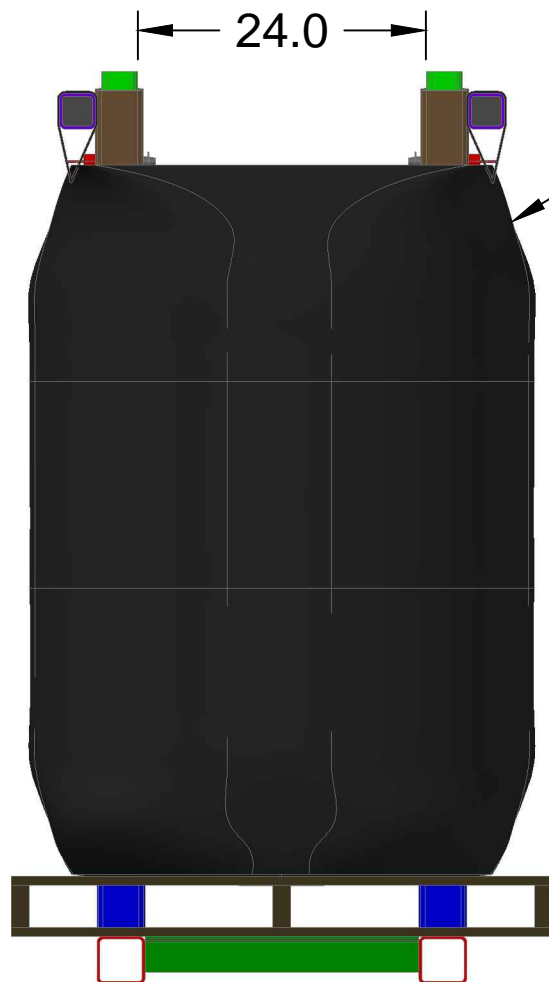


| Item# | Qty | Description | Part Number | Wgt (Est.) |
|-------|-----|--------------------------|-----------------|-------------|
| 1 | 1 | Frame, Lower | FormPak 000081 | 165 |
| 2 | 1 | Frame, Upper | FormPak 000077 | 126 |
| 3 | 1 | Support, Bulk Bag (R) | FormPak 000086R | 49 |
| 4 | 1 | Support, Bulk Bag (L) | FormPak 000086L | 49 |
| 5 | 1 | Hitchpin, W/Hairpin Clip | DoubleHH 00233 | .27 |
| 6 | 4 | Bolt, 3/4UNC x 2" Lng. | | 1.75 |

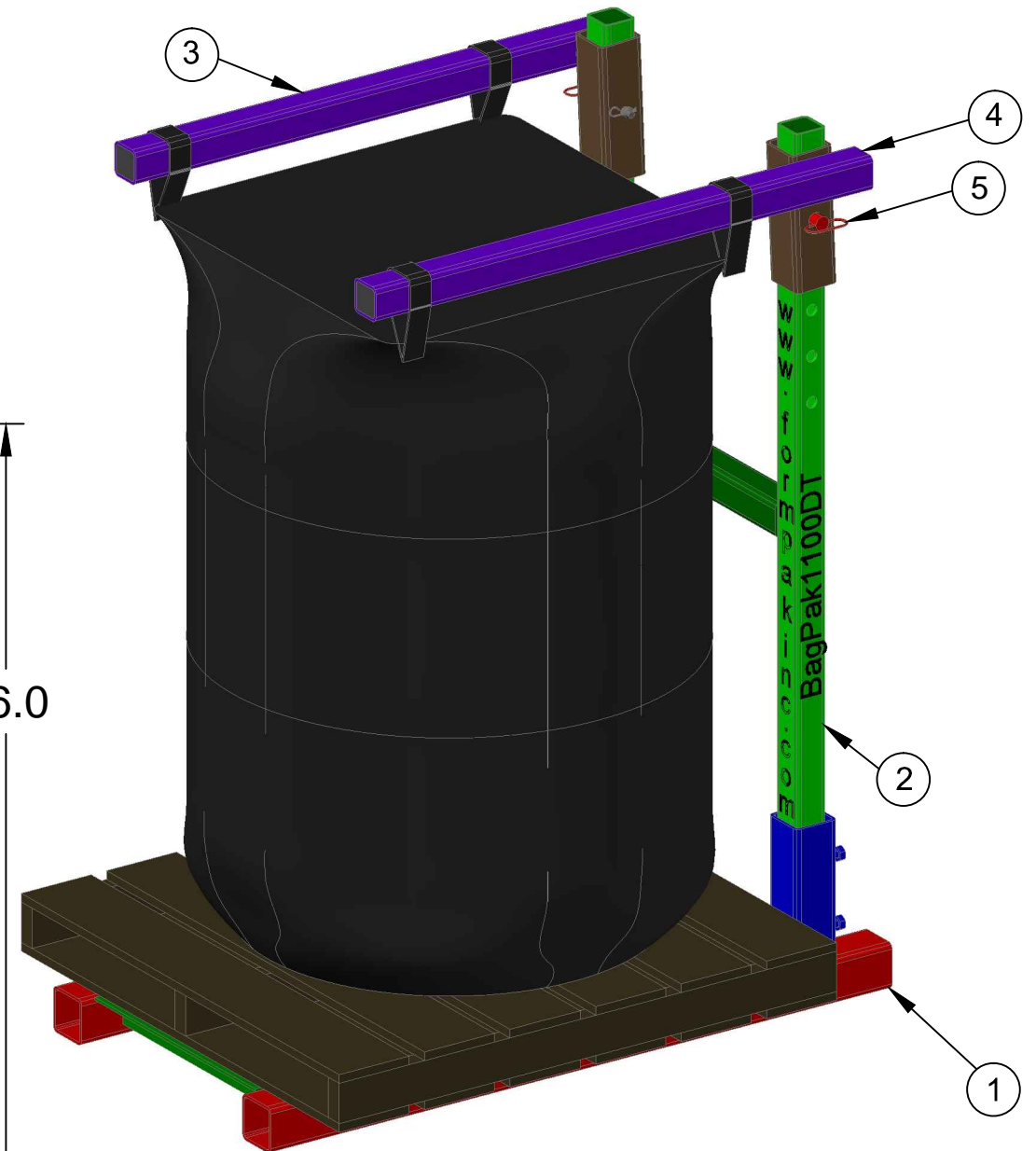
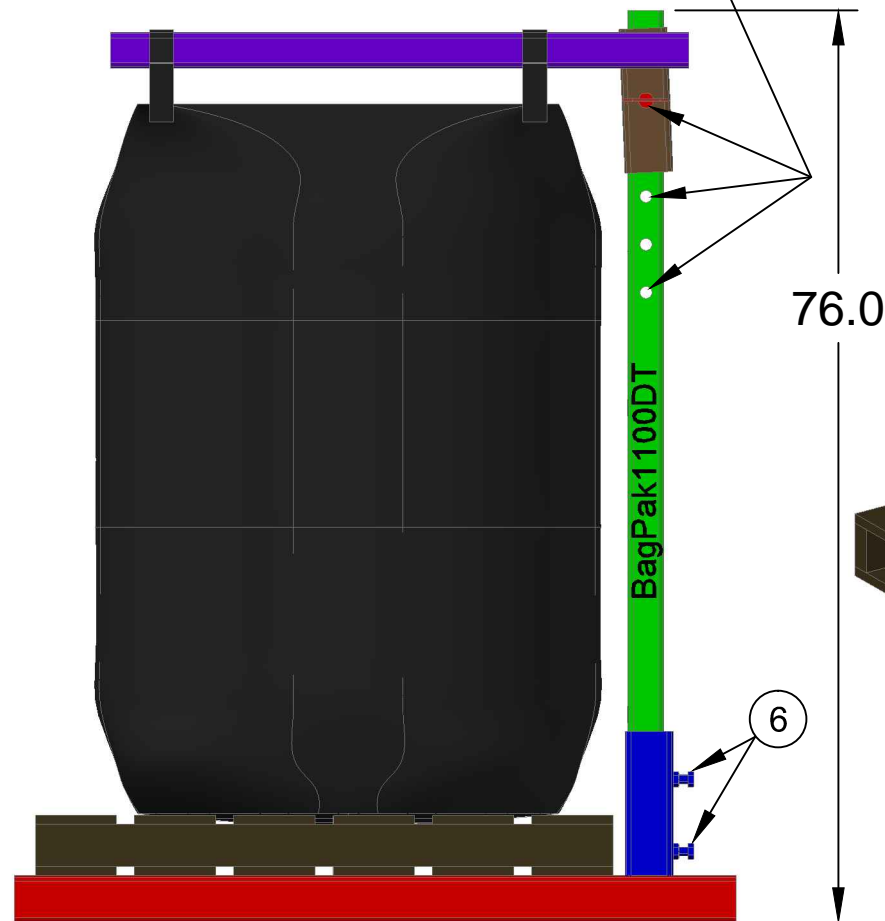
391 Lbs, 178 kg



60" Tall Bag Shown
Adjustable for Bags 44"-60"



4' pallet shown, 5" Tall



| | | | |
|------------------|--|----------------|----------------|
| Size B | Meeting Your Materials Handling Needs Since 1968 | Date | August 5, 2011 |
| | | Scale | 1/16 |
| Drawing Name | | Sheet Number | 1 of 1 |
| BagPak 1100 DT | | Drawing Number | 000076 |