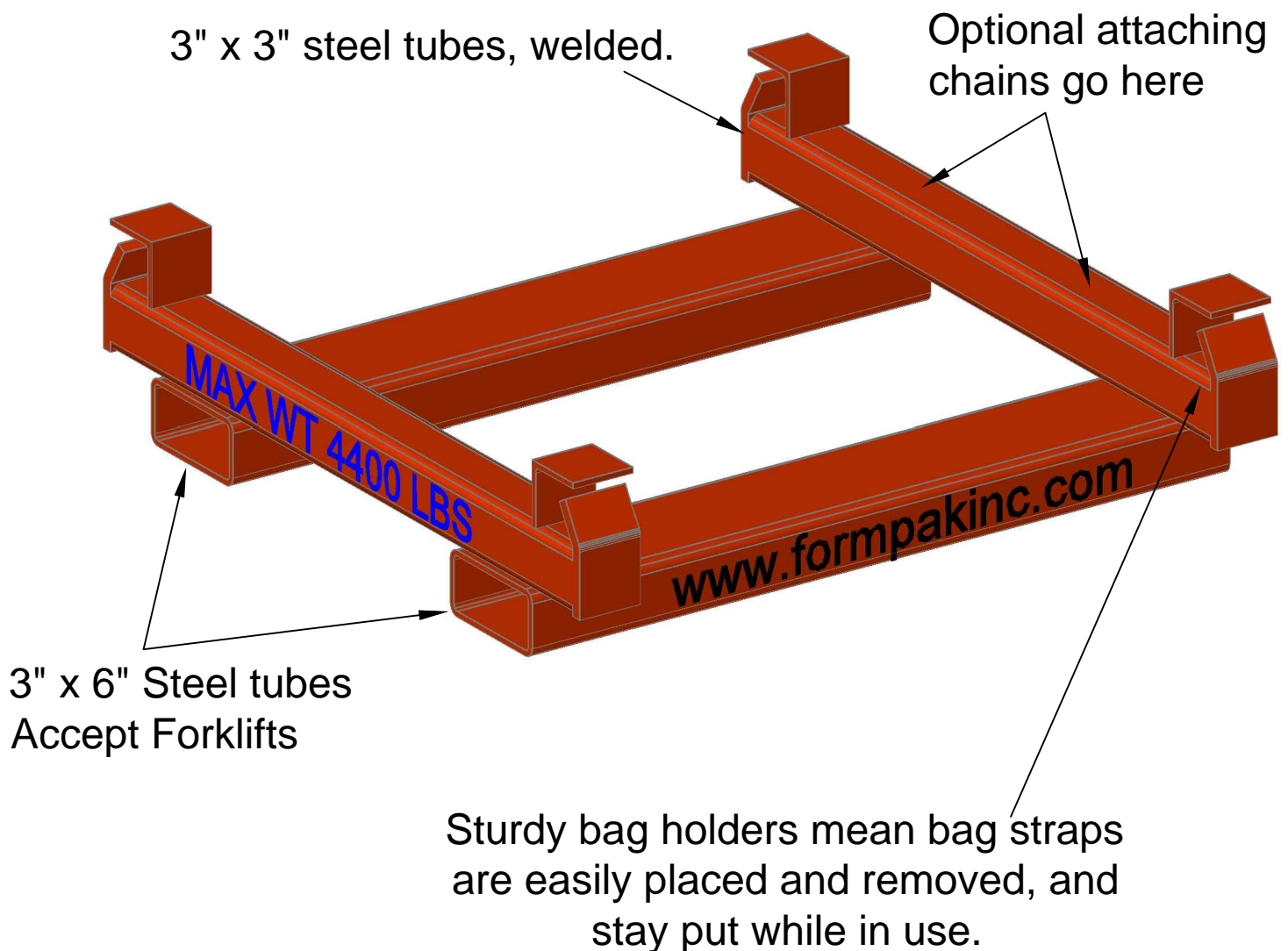


# FormPak FA100-Safety Fork Lift Adapter

This device can easily lift the industry standard two metric ton (about 4400 lbs) heavy bulk bag. If you have a forklift truck, this simple part can make handling your bulk bags a breeze.



"Gaudy color for safety."

FormPak, Inc.  
Meeting Your Materials Handling Needs Since 1968