



Compact "T" Style Inlet Vacuum Filters

"CT" Series 2" – 6" FPT

APPLICATIONS & EQUIPMENT

- Vacuum Pumps & Systems – P.D., Side Channel, Rotary Vane, Screw, Piston
- Vacuum Packaging Equipment
- Vacuum Furnaces
- Blowers - Side Channel & P.D.
- Remote Install for Piston, Screw & Centrifugal Compressors
- Factory Automation Equip
- Ash Handling
- Pneumatic Conveying Systems
- Food Industry
- Paper Processing
- Glass, Ceramic Processing
- Waste Water Treatment
- Woodworking
- Cement
- Bag House Systems
- Envelope Manufacturing
- Medical Industry
- Chemical Processing

FEATURES & SPECIFICATIONS

- **Vacuum level:** Typically 1×10^{-3} mmHg (1.3×10^{-3} mbar)
- **Compact** design for space restrictions; min. service area
- Inlet is above the element to **Extend** element life and maintenance intervals
- Cast aluminum top (resists corrosion) with machined connections has an **Integrated Baffle** design
- "T" style design **Minimizes** piping requirements
- 1/4" differential gauge ports standard
- **See-Through Buckets** for 3" and 4" connections (ST Models)
- Durable black carbon steel buckets
- "Drop-Down" housing for easy servicing and dirt containment
- Casting has 4 unthreaded tap holes for mounting bracket
- Low pressure drop and Positive Sealing assembly
- Temp (continuous): min -15°F (-26°C) max 220°F (104°C)
- Filter change out differential: 10"-15" H₂O over initial delta P
- Swing Bolts on 5" & 6" sizes standard

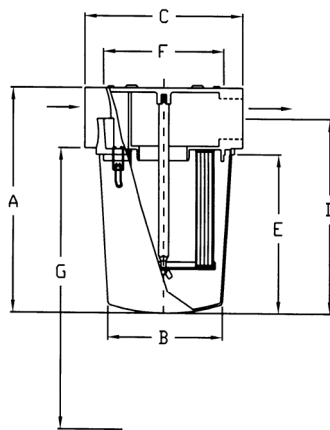
OPTIONS (Inquiries Encouraged)

- Extreme duty configuration
- Reverse Pulse Filter System
- Epoxy coated housings
- Swing Bolts available for all sizes
- Activated carbon prefilters to reduce order
- Various media

CONFIGURATION



DRAWING



I = Industrial Duty S = Severe Duty E = Extreme Duty Dimension tolerance $\pm 1/4"$

	with Polyester Element	with Paper Element	FPT Inlet & Outlet	DIMENSIONS - inches							Rated Flow SCFM		Approx. Wt. lbs
				A	B	C	D	E	F	G	Nominal Rating	Element Rating	
I	CT-851-200C	CT-850-200C	2"	13	7 5/8	9	10 7/8	9	5 5/8	18	175	290	16
I	CT-851-250C	CT-850-250C	2-1/2"	13	7 5/8	9	10 7/8	9	5 5/8	18	210	290	15
I	ST-235P-300C	ST-234P-300C	3"	19 7/8	9 7/8	13 1/2	17 1/8	14	10	25	300	570	29
I	ST-235P-400C	ST-234P-400C	4"	19 7/8	9 7/8	13 1/2	17 1/8	14	10	25	520	570	25
I	CT-235P-300C	CT-234P-300C	3"	18 7/8	9 7/8	13 1/2	16 1/8	13	10	25	300	570	30
I	CT-235P-400C	CT-234P-400C	4"	18 7/8	9 7/8	13 1/2	16 1/8	13	10	25	520	570	26
S	CT-275P-500C	CT-274P-500C	5"	18 1/4	16	19	14 3/8	9 7/8	14 3/4	20	800	1100	50
I	CT-275P-600C	CT-274P-600C	6"	18 1/4	16	19	14 3/8	9 7/8	14 3/4	20	1100	1100	45

"ST" denotes See-Through bucket

Note: Model offerings and design parameters may change without notice.

Solberg – Discover the Possibilities

CT-5213

1151 Ardmore Ave. • Itasca, IL 60143 USA

Sales/Service: 630.773.1363 • Fax: 630.773.0727

E-mail: sales@solbergmfg.com • Web Site: www.solbergmfg.com

INLET VACUUM FILTERS
CSL, CT, VL, VS, LRS Series