

BH 1

Bin / Hopper Vibrator

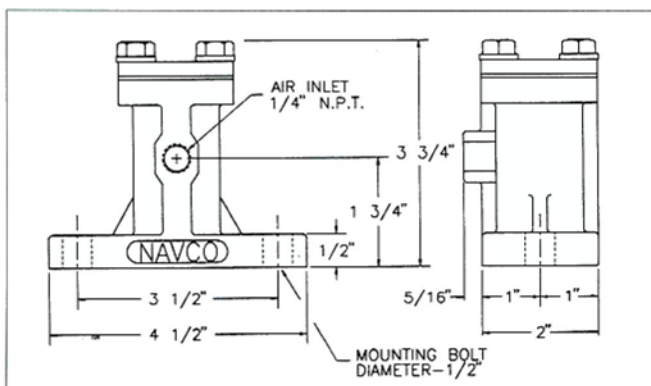


Operating Characteristics

FREQUENCY	
IMPACTING	7250 vpm
SILENT	3600 vpm
AIR CONSUMPTION	
IMPACTING	3.3 C.F.M. @ 50 psi
SILENT	3.0 C.F.M. @ 50 psi
SOUND PRESSURE LEVEL	
IMPACTING	87 dbA
SILENT	75 dbA

Sizing Criteria

HOPPER CAPACITY	3 cu. ft.
WALL THICKNESS RANGE	1/16"-1/8"
WEIGHT	3 lbs.



The NAVCO BH 1 is a Pneumatic Piston Vibrator designed to provide reliable and effective performance, even when exposed to severe adverse elements. The size and operating characteristics of the BH 1 make it ideally suitable for solving very light duty bulk material flow problems.

Operation and Construction

The model BH 1 vibrator incorporates a nominal 1" piston and bore. During operation, compressed air is alternately directed from one end of the piston to the other through a series of internal ports. The piston is the only moving part, which makes the pneumatic piston vibrator a reliable, low maintenance device. The vibrator housing is a one piece, ductile iron casting. This adds to the durability and reliability of NAVCO Pneumatic Piston Vibrators.

The action of the piston in a pneumatic piston vibrator generates high amplitude vibration with unidirectional, or linear, force vectors. High amplitude characteristics enable the vibrating energy to be transmitted in the capacity required to overcome the strength of the bulk material involved in a bridge (arch) or a rathole (pipe). Other advantages of high amplitude, linear vibrators include low utility consumption and minimum bin wall stress.

Linear vibration offers the following advantages:

- The work, or energy generated by the vibrator, can be directed normal, or perpendicular, to the flow of the bulk material to address a specific material flow problem. The vibrator work is used very efficiently to reduce the sliding friction angle of the hopper and to overcome the strength of the bulk material in the hopper. These two factors are key to promoting the flow of bulk solid materials.
- Vibrators that generate linear vibration do not develop high shearing forces at the bin wall. This allows a simple, more direct approach to mounting the vibrators.
- Linear vibration is ideal for driving vibratory feeders and compaction tables.

Model Types

The NAVCO BH 1 is available in two model types; Impacting and Silent.

The Impacting model BH 1.00 IGO develops a high amplitude repetitive impulse when the piston strikes the base of the bore sharply on each cycle. The piston is air cushioned at the head plate on the upward stroke. Momentum and energy are transmitted efficiently through the bin wall and into the material by each elastic collision between the piston and the vibrator base. The repetitive impacts enable the Vibrator to affect material over a large "area of influence", overcoming the bulk material strength and reducing the wall friction angle.

NAVCO Impacting Pneumatic Piston Vibrators are excellent for all bulk material flow problems, especially those involving cohesive materials with marginal to poor flow characteristics. They are also effective in cleaning adhering material from empty bins and process vessels.

The Silent model (BH 1.00 SGO) generates a sinusoidal output by creating an air cushion at each end of the piston stroke. NAVCO Silent Pneumatic Piston Vibrators are effective in applications involving non-cohesive or free flowing materials where a slight increase in energy is required to initiate or maintain flow. The Silent units are also ideal as drives for vibratory tables and feeders.

Sizing and Installation

Proper sizing and installation of vibrators are critical to the success of the flow aid system. The three major factors to consider in selecting pneumatic piston vibrators for hopper applications are:

- the wall thickness of the hopper
- the volume and mass of material in the hopper
- the flow characteristics of the bulk material

The NAVCO BH 1 is a very light duty vibrator. It may be applied to hoppers with 3 cubic feet of capacity or less, with a wall thickness of 1/16" to 1/8". On thinner walls, a reinforcement plate is recommended. On thicker walls, a larger unit should be selected. The optimal location for a vibrator in a typical hopper application is at the point of the flow restriction.

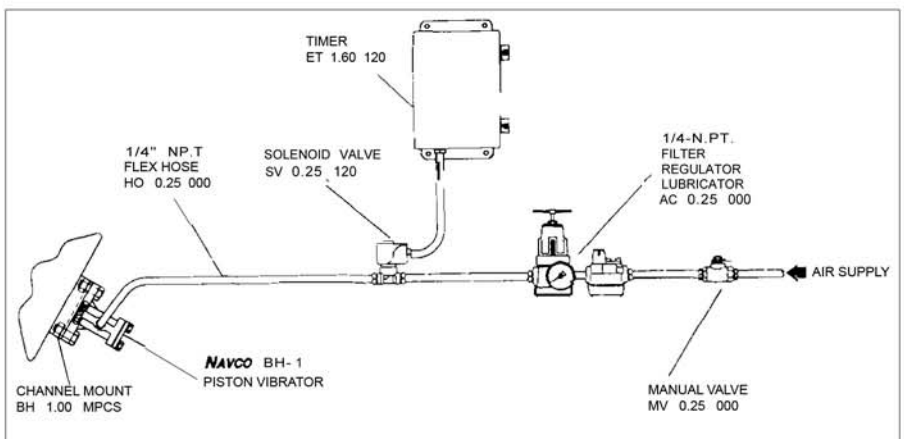
If the exact point is unknown, the vibrator should be located from 1/4 to 1/3 of the height of the hopper up from the discharge. For large hoppers, hoppers with unusual geometry, or particularly difficult material flow problems, multiple vibrators may be required.

Please consult NAVCO for a complete Bin Map solution in difficult cases.

The vibrator mounting plate should be skip welded to the hopper wall using a low hydrogen welding rod. If reinforcement is required, it should be skip welded, also with a low hydrogen rod.

Accessories and Options

To ensure proper application and operation of NAVCO Vibrators, NAVCO offers a complete line of system accessories. The BH 1 has a 1/4" N.P.T. inlet and therefore utilizes 1/4" I\J.P.T. accessories. Refer to the diagram and Bill of Materials contained in Figure 1.



Po Box 40563 Houston, TX 77240-0563 Ph: 832.467.3636 Fax: 832.467.3800 Toll Free 1.800.231.0164

www.navco.org

